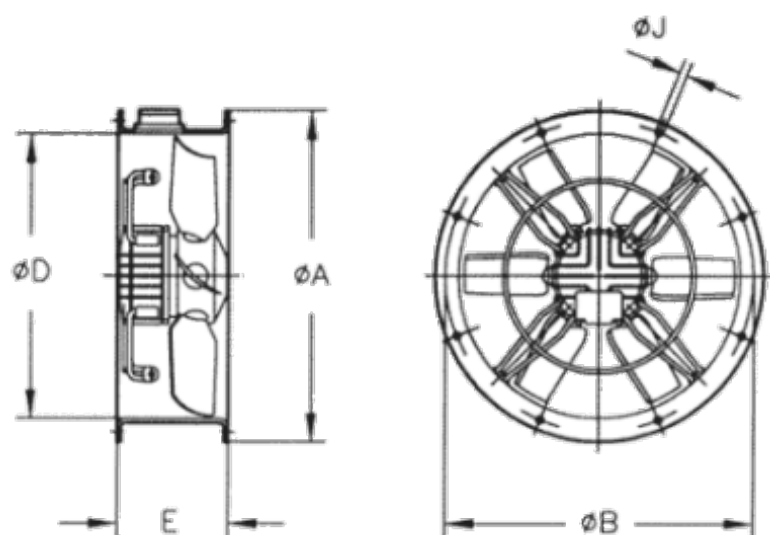


## Afmetingen HEPT Axiaal Ventilator



| Type    | A   | B   | C   | E   | J  | Aantal schoepen |
|---------|-----|-----|-----|-----|----|-----------------|
| HEPT-31 | 385 | 355 | 308 | 200 | 10 | 8               |
| HEPT-35 | 425 | 395 | 360 | 220 | 10 | 8               |
| HEPT-40 | 490 | 450 | 410 | 220 | 12 | 8               |
| HEPT-45 | 540 | 500 | 460 | 220 | 12 | 8               |
| HEPT-50 | 600 | 560 | 514 | 230 | 12 | 12              |
| HEPT-56 | 660 | 620 | 560 | 260 | 12 | 12              |
| HEPT-63 | 730 | 690 | 635 | 350 | 12 | 12              |

Alle afmetingen zijn in mm.

Verklaring type codering zie productcode.