

CPV

Centrifugal anti-corrosive single-inlet fans made from polypropylene.



Aesthetic and modern design

Fan:

- Polypropylene casing
- Impeller with forward-facing blades made from polypropylene

Motor:

- Motors with IE-2 efficiency, except for motors with lower powers than 0.75 kW, monophase motors or two-speed motors
- Class F motors with ball bearings, IP55 protection
- Three-phase 230/400V-50Hz. (up to 5.5CV.) and 400/690V-50Hz. (power over 5.5CV.)
- Max. temperature of air for transport: -20°C.+ 50°C.

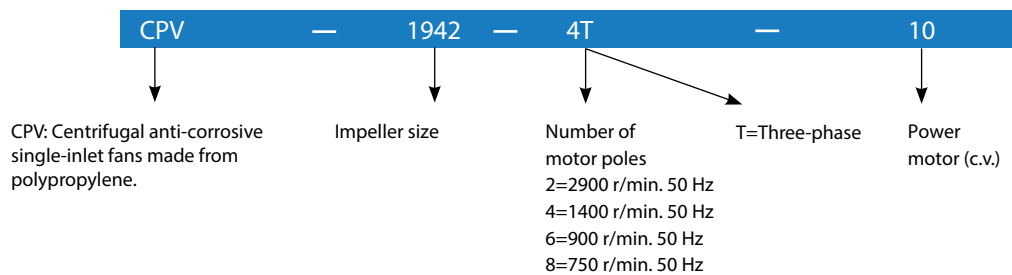
Finish:

- Plastic anticorrosive

On request:

- Special windings for different voltages
- ATEX certification, Category 3

Order code



Technical characteristics

Model	Speed (r/min)	Maximum admissible current (A)			Installed Power (kW)	Maximum Airflow (m ³ /h)	Sound pressure level dB(A)	Approx. weight (Kg)
		230V	400V	690V				
CPV-815-2T	2810	1.73	1.00		0.37	950	75	14.0
CPV-815-4T	1360	1.32	0.76		0.25	450	58	14.0
CPV-1020-2T	2800	3.00	1.73		0.75	2000	81	19.5
CPV-1020-4T	1360	1.32	0.76		0.25	1250	65	19.5
CPV-1020-6T	880	1.67	0.96		0.25	750	53	19.5
CPV-1325-2T	2850	7.97	4.60		2.20	3250	87	27.0
CPV-1325-4T	1360	1.78	1.03		0.37	2300	69	27.0
CPV-1325-6T	880	1.67	0.96		0.25	1400	59	27.0
CPV-1630-4T	1420	5.98	3.45		1.50	4500	75	34.5
CPV-1630-6T	910	2.80	1.61		0.55	2700	63	34.5
CPV-1840-4T	1420	11.09	6.40		3.00	6000	70	48.0
CPV-1840-6T	900	5.04	2.90		1.10	4200	65	42.0
*CPV-1942-4T-7.5	1450		11.40	6.60	5.50	8500	79	66.0
*CPV-1942-4T-10	1450		15.10	8.70	7.50	10500	84	77.0
*CPV-1942-6T	930	9.32	5.36		2.20	7000	75	49.0
*CPV-1942-8T	710	7.10	4.08		1.50	5500	70	56.0
CPV-2045-4T	1450		15.10	8.70	7.50	10400	78	102.0
CPV-2045-6T	950	12.20	7.00		3.00	7000	72	88.0
CPV-1030-2T	2900	19.23	11.10		4.00	2900	75	66.0
CPV-1335-2T	2915		14.70	8.50	5.50	4700	84	91.0
CPV-1160-4T	1460		21.50	12.40	11.00	8000	83	243.0
CPV-2060-4T	1460		21.50	12.40	11.00	12000	81	245.0
CPV-2160-4T	1455		28.50	16.50	15.00	15500	77	282.0
*CPV-720-2T	2840	1.82	1.05		0.37	525	75	10.0
*CPV-825-2T	2850	4.33	2.50		1.10	1140	79	17.0
*CPV-930-2T	2880	7.57	4.37		2.20	1750	84	24.0

*Only LG position allowed

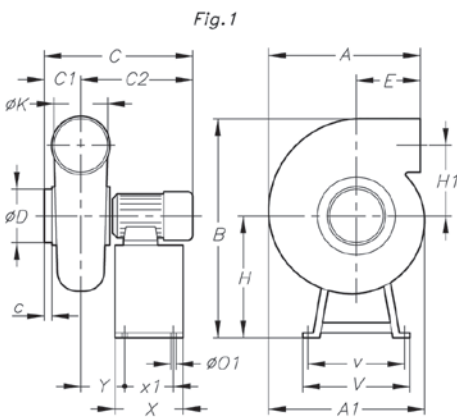
Acoustic features

Sound power Lw(A) spectrum in dB(A) via frequency band in Hz.

Model	63	125	250	500	1000	2000	4000	8000	Model	63	125	250	500	1000	2000	4000	8000
815-2	56	69	77	81	81	77	73	65	1942-4-10	80	90	92	95	94	94	92	83
815-4	39	52	60	64	64	60	56	48	1942-6	71	81	83	86	85	85	83	74
1020-2	62	75	83	87	87	83	79	71	1942-8	66	76	78	81	80	80	78	69
1020-4	46	59	67	71	71	67	63	55	2045-4	63	76	84	88	89	85	81	72
1020-6	34	47	55	59	59	55	51	43	2045-6	57	70	78	82	83	79	75	66
1325-2	70	83	91	95	96	92	88	79	1030	58	71	79	83	84	80	76	67
1325-4	52	65	73	77	78	74	70	61	1335	67	80	88	92	93	89	85	76
1325-6	42	55	63	67	68	64	60	51	1160	68	81	89	93	94	90	86	77
1630-4	60	73	81	85	86	82	78	69	2060	66	79	87	91	92	88	84	75
1630-6	48	61	69	73	74	70	66	57	2160	64	77	85	89	89	85	81	73
1840-4	55	68	76	80	81	77	73	64	720	56	69	77	81	81	77	73	65
1840-6	50	63	71	75	76	72	68	59	825	60	73	81	85	85	81	77	69
1942-4-7,5	75	85	87	90	89	89	87	78	930	65	78	86	90	90	86	82	74

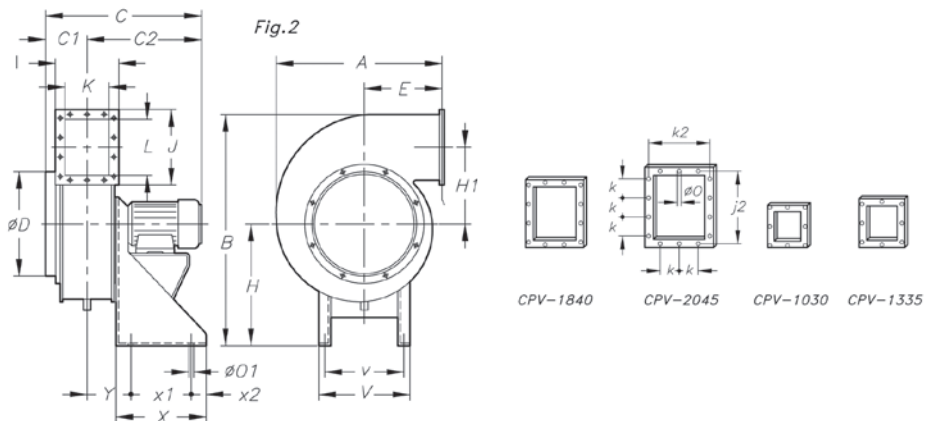
Dimensions in mm

CPV-720...1942



Model	Fig.	A	A1	B	C	C1	C2	c	øD	E	H	øK	øO1	V	v	X	x1	Y
CPV-720	1	375	-	456	350	80	270	45	90	212	281	90	8	355	335	180	160	92
CPV-815	1	303	335	521	371	100	271	30	125	100	281	125	8	355	335	180	160	90
CPV-825	1	445	-	522	433	110	323	55	125	218	290	125	8	355	335	180	160	103
CPV-930	1	540	-	658	477	100	377	40	160	262	370	160	8	400	380	180	160	117
CPV-1020-2T	1	340	397	584	440	116	324	32	160	100	281	160	8	355	335	180	160	121
CPV-1020-2T	1	340	397	584	413	116	297	32	160	100	281	160	8	355	335	180	160	116
CPV-1325-2T	1	413	505	735	487	130	357	35	200	103	370	200	8	400	380	180	160	126
CPV-1325	1	413	505	716	438	130	308	35	200	103	351	200	8	400	380	180	160	127
CPV-1630-4T	1	490	602	888	529	145	384	35	250	117	440	250	8	450	430	240	220	143
CPV-1630-6T	1	490	602	878	495	145	350	35	250	117	430	250	8	450	430	240	220	137
CPV-1942-4T	1	580	750	1170	792	210	642	60	315	130	600	315	8	600	564	350	314	188
CPV-1942-6T	1	580	750	1150	724	210	574	60	315	130	580	315	8	600	564	350	314	188
CPV-1942-8T	1	580	750	1150	724	210	574	60	315	130	580	315	8	600	564	350	314	188

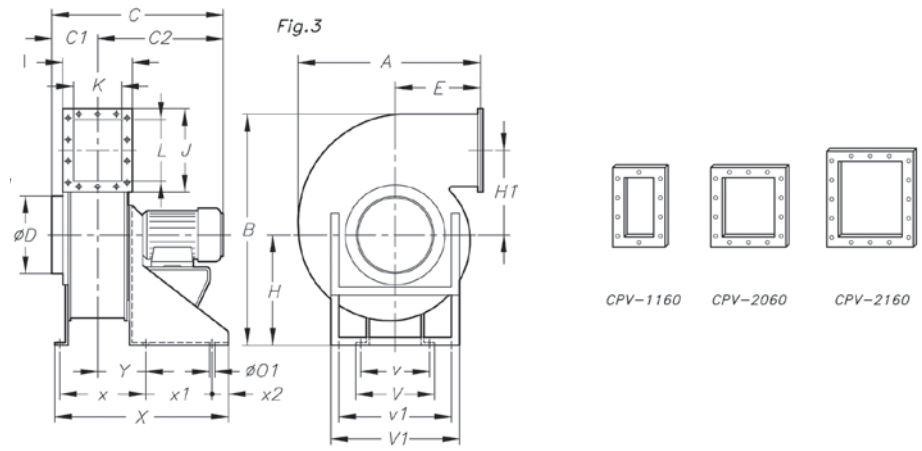
CPV-1030...0.2045



Model	Fig.	A	B	C	C1	C2	øD	E	H	I	J	J2	øK	k	k2	L	øO	øO1	V	v	X	x1	x2	Y
CPV-1030	2	494	698	-	155	-	200	225	410	210	221	200	140	100	186	155	9	12	260	234	-	175	50	130
CPV-1335	2	566	788	-	175	-	225	255	452	240	256	226	160	100	210	180	9	12	320	285	-	200	50	140
CPV-1840-4T	2	631	819	660	210	450	355	275	420	305	356	326	225	100	275	280	9	12	320	285	300	200	50	170
CPV-1840-6T	2	631	809	630	210	420	355	275	410	305	356	326	225	100	275	280	9	12	320	285	300	200	50	170
CPV-2045	2	736	1020	810	245	565	400	310	542	362	421	381	270	100	322	335	9	12	350	315	350	250	50	195

Dimensions in mm

CPV-1160..0.2160

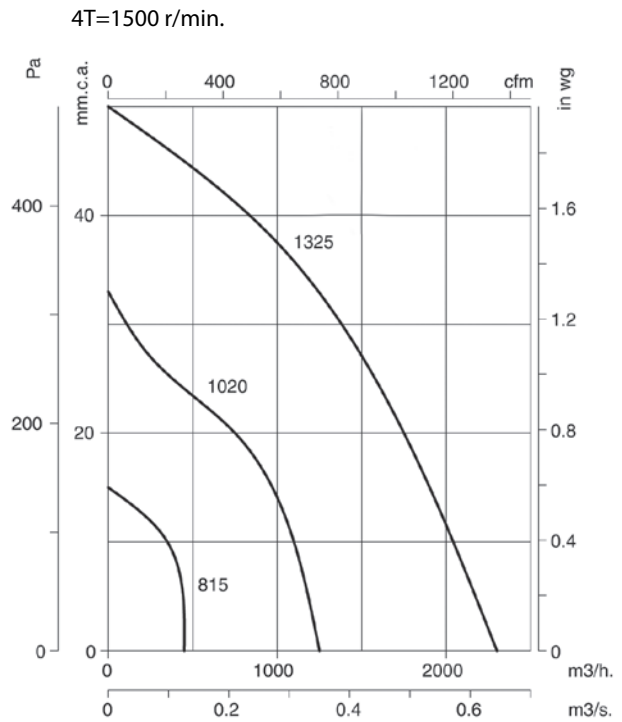
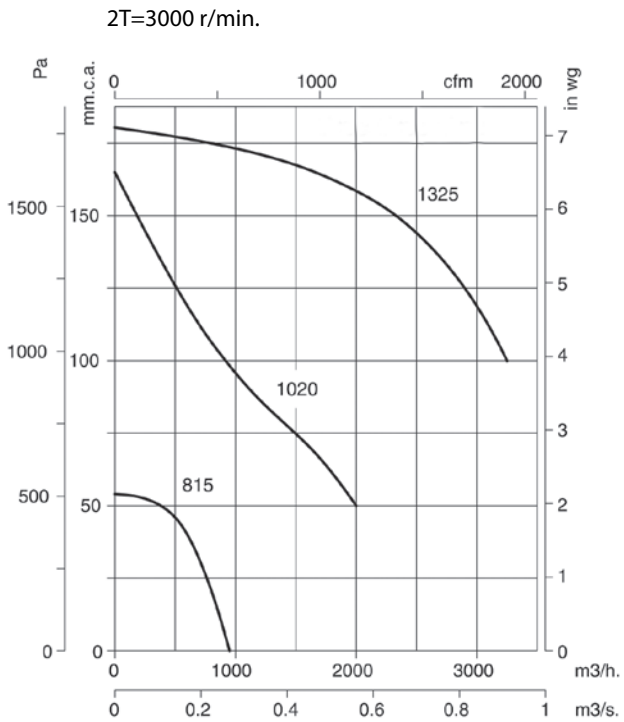


Model	Fig.	A	B	C1	øD	E	H	I	J	J2	øK	k	k2	L	øO	øO1	V	V1	v	v1	X	x	x1	x2	Y
CPV-1160	3	937	1276	210	350	410	700	275	416	366	155	100	225	310	9	14	500	790	450	670	710	265	360	60	155
CPV-2060	3	937	1276	270	400	410	700	395	416	366	275	100	345	310	9	14	500	790	450	670	830	385	360	60	215
CPV-2160	3	981	1336	285	600	414	700	455	501	451	335	100	405	395	9	14	500	790	450	670	890	445	360	60	240

Characteristic curves

Q = Airflow in m³/h, m³/s and cfm.

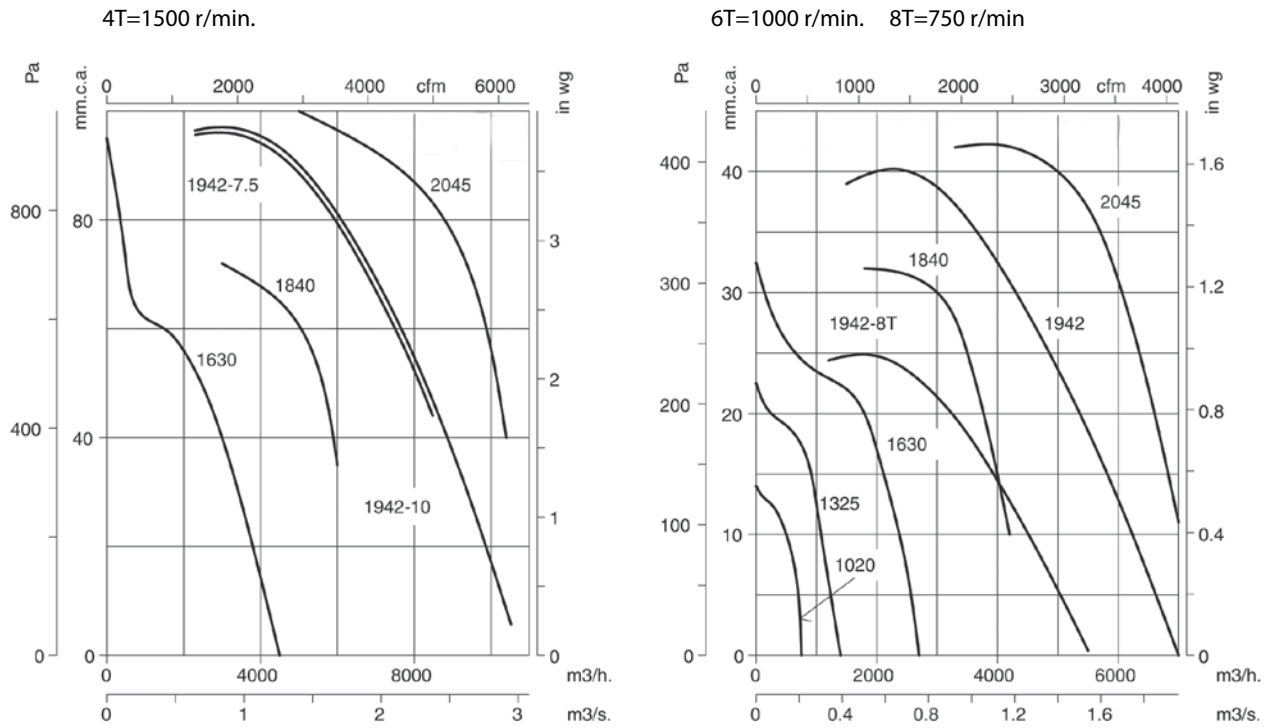
Pe = Static pressure in mm.w.c., Pa and in wg.



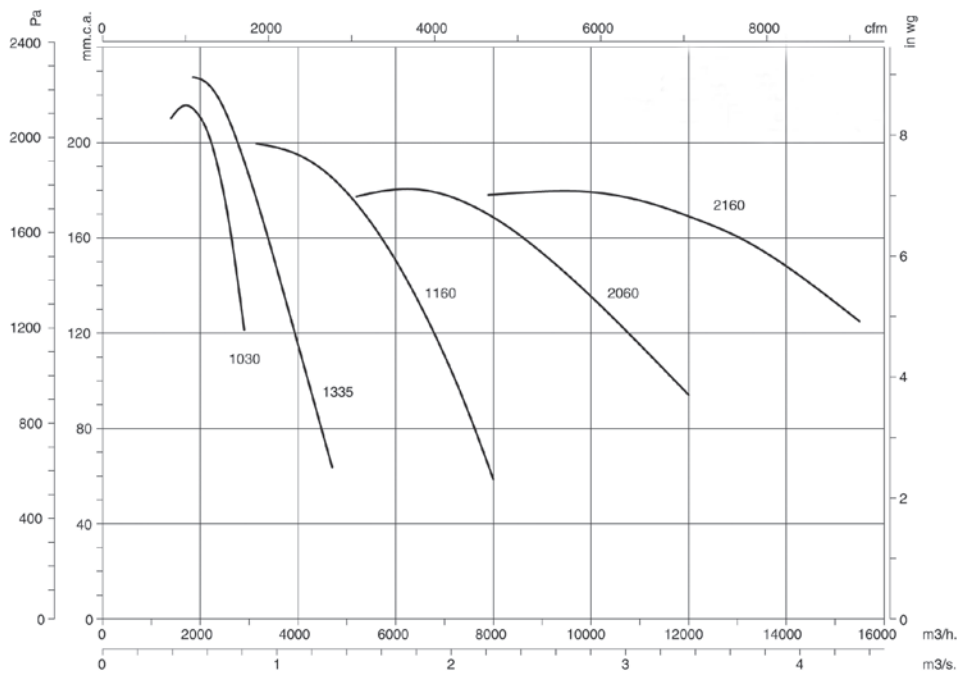
Characteristic curves

Q = Airflow in m³/h, m³/s and cfm.

Pe = Static pressure in mm.w.c., Pa and in wg.



2T=3000 r/min. 4T=1500 r/min

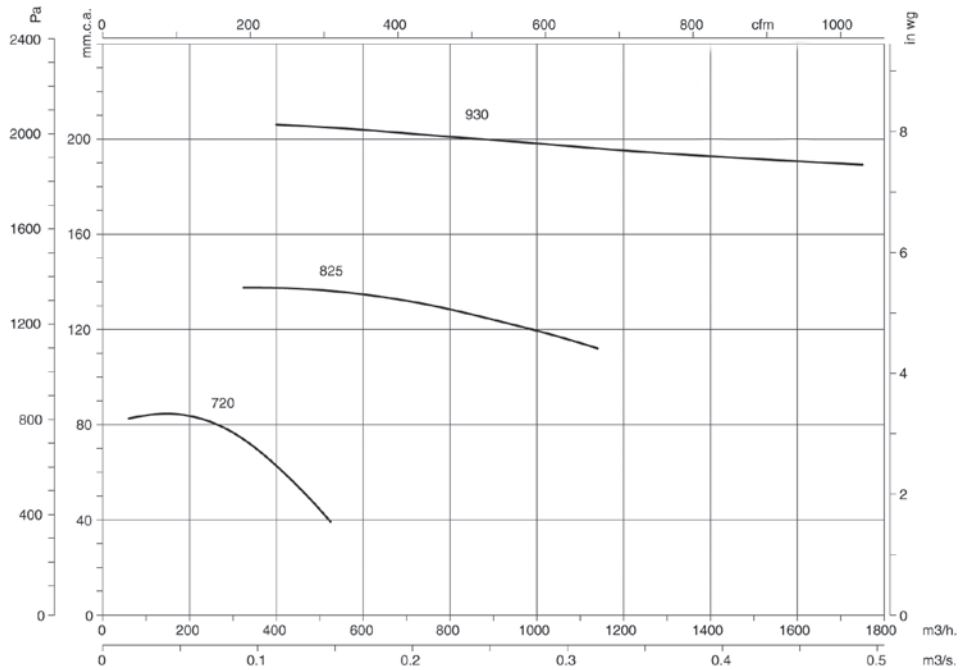


Characteristic curves

Q = Airflow in m³/h, m³/s and cfm.

Pe= Static pressure in mm.w.c., Pa and in wg.

2T=3000 r/min.



Positions

LG 90 standard supply



Accessories

See the accessories section.



Inatherm B.V.
Tielenstraat 17
5145 RC Waalwijk

www.inatherm.nl
inatherm@hcgroep.com
T: (0)416-317830