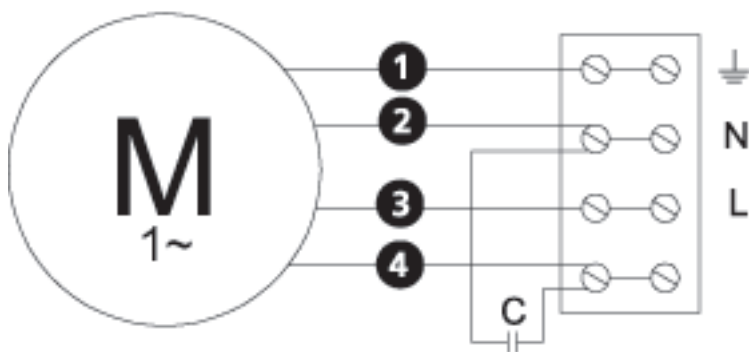
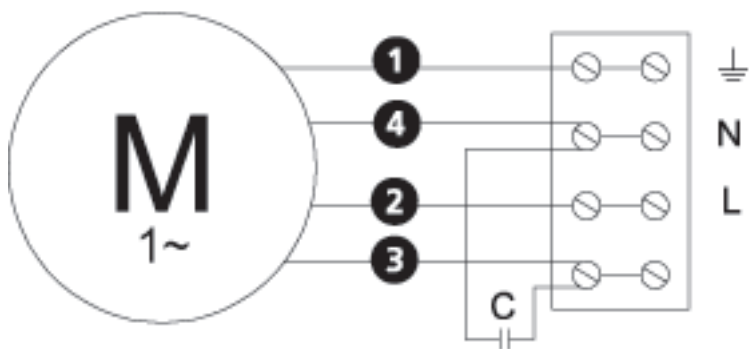


# Elektrische schema's

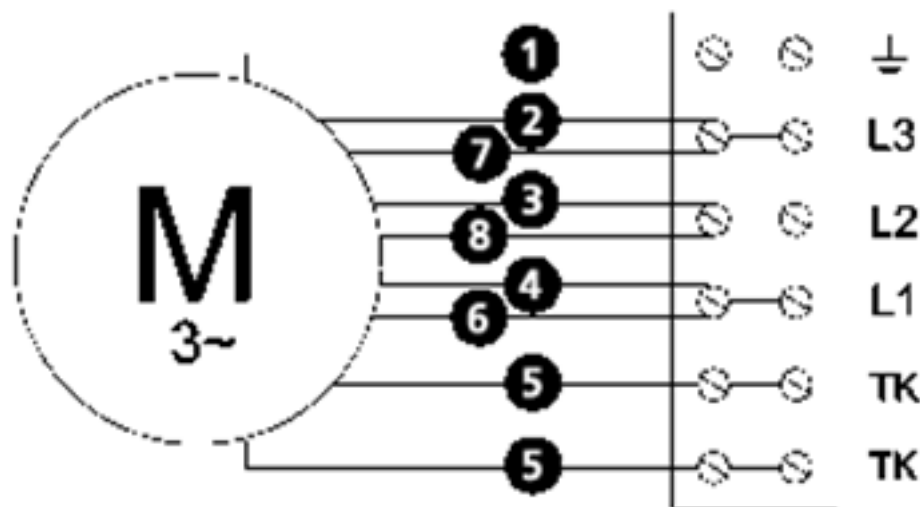
4040001



4040002



4040003



**(M)** = Fan Motor

**(M1)** = Fan Motor

**(M2)** = Fan Motor

**(M3)** = Rotor Motor

**1** = Yellow/Green

**2** = Black

**3** = Blue

**4** = Brown

**5** = White

**6** = Orange

**7** = Grey

**8** = Red

**9** = Green

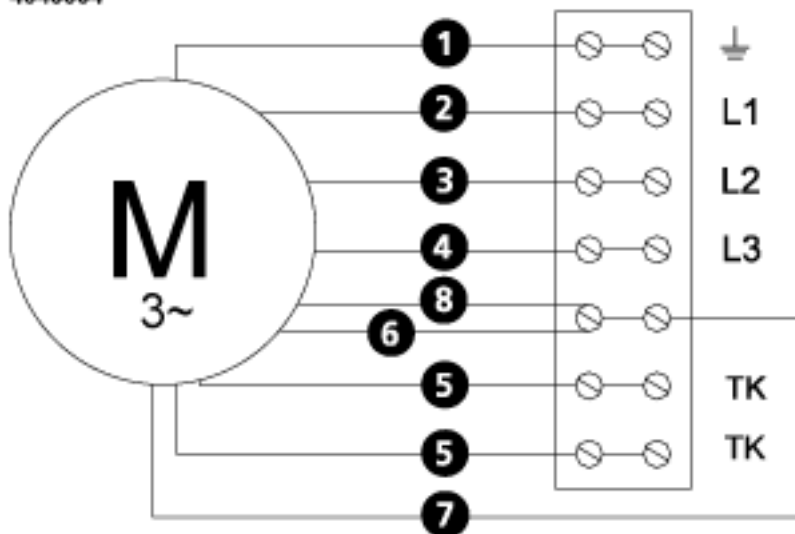
**10** = Violet

**11** = Quick switch

**12** = Yellow

# Elektrische schema's

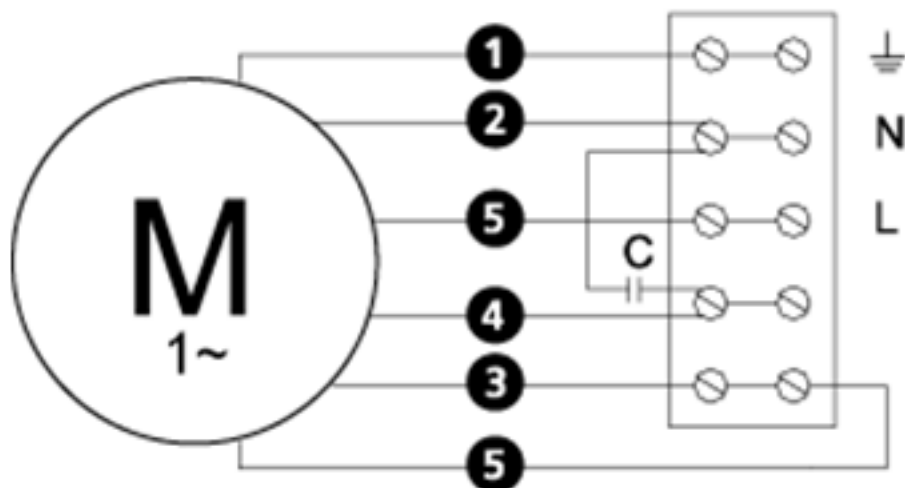
4040004



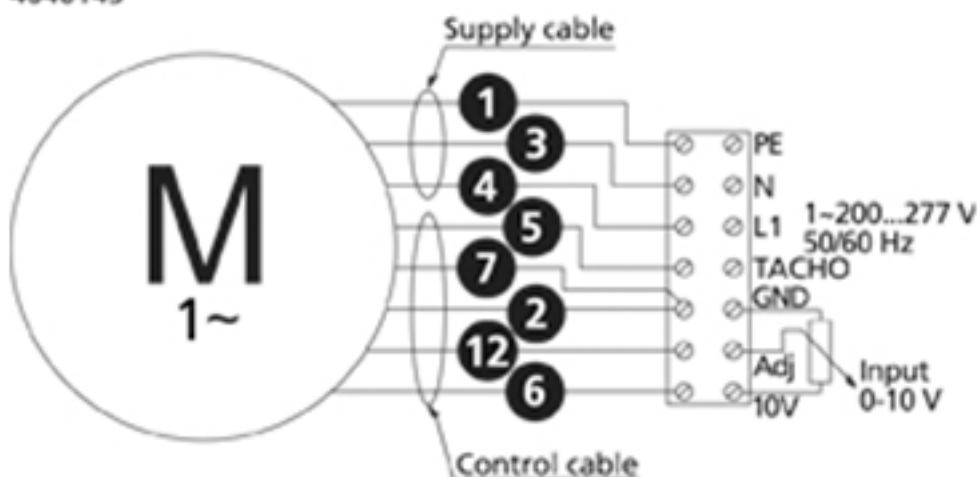
- (M)** = Fan Motor
- (M1)** = Fan Motor
- (M2)** = Fan Motor
- (M3)** = Rotor Motor

- 1** = Yellow/Green
- 2** = Black
- 3** = Blue
- 4** = Brown
- 5** = White
- 6** = Orange
- 7** = Grey
- 8** = Red
- 9** = Green
- 10** = Violet
- 11** = Quick switch
- 12** = Yellow

4040005

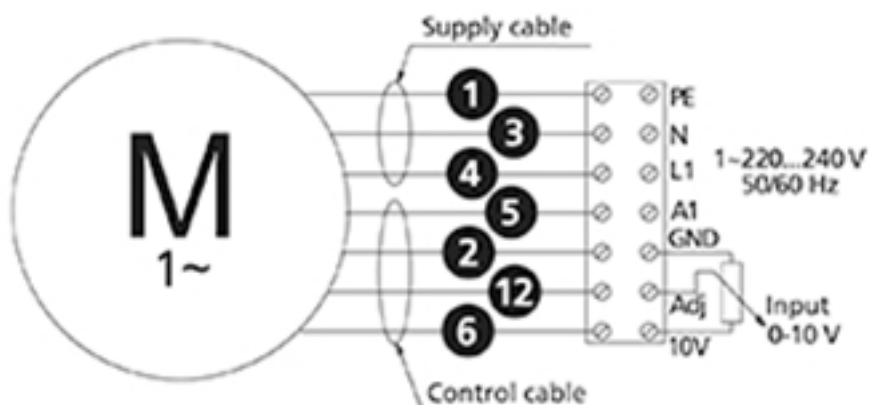


4040143



# Elektrische schema's

4040180



Ⓜ = Fan Motor

Ⓜ1 = Fan Motor

Ⓜ2 = Fan Motor

Ⓜ3 = Rotor Motor

① = Yellow/Green

② = Black

③ = Blue

④ = Brown

⑤ = White

⑥ = Orange

⑦ = Grey

⑧ = Red

⑨ = Green

⑩ = Violet

⑪ = Quick switch

⑫ = Yellow