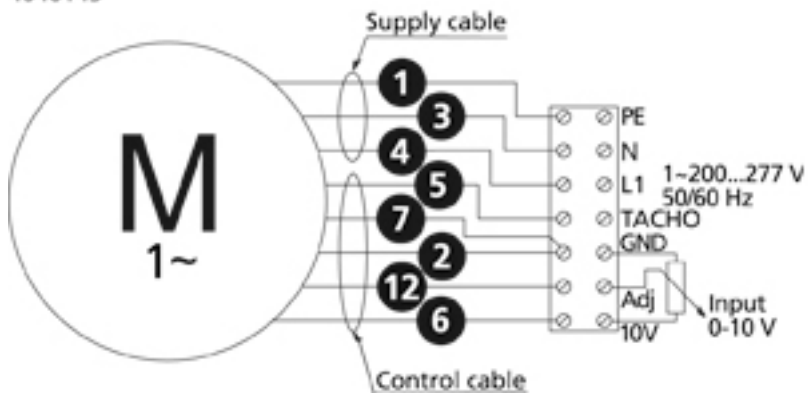
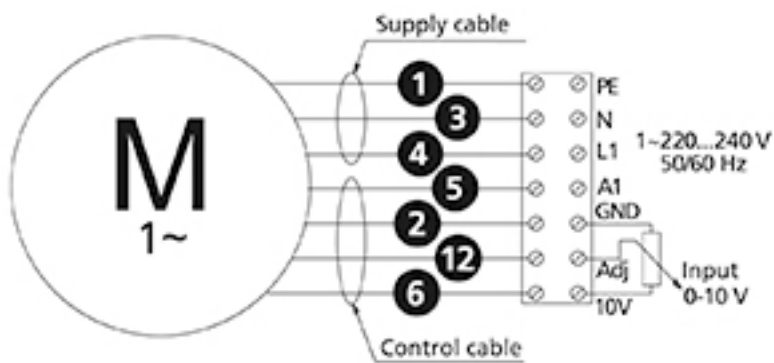


ELEKTRISCHE SCHEMA'S

4040143



4040180



(M) = Fan Motor

(M1) = Fan Motor

(M2) = Fan Motor

(M3) = Rotor Motor

1 = Yellow/Green

2 = Black

3 = Blue

4 = Brown

5 = White

6 = Orange

7 = Grey

8 = Red

9 = Green

10 = Violet

11 = Quick switch

12 = Yellow