

# VENTILATOREN

## DAKVENTILATOREN | DRV-ECS



### DRV-ECS



**TYPE:**

DRV-ECS R

#### KENMERKEN DRV-ECS

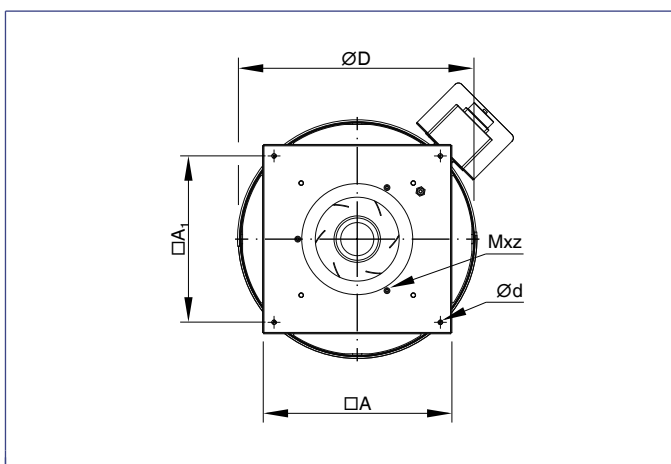
Energy-efficient, rotary speed-controllable and low-noise due to EC technology. Up to 50% energy savings achievable in practice  
Controlled ventilation possible (basic and needs-based ventilation)  
Optionally available with regulation (constant pressure or constant volume flow rate)  
Simple installation and maintenance-friendly  
High efficiency, even in controlled mode  
Rotary speed steplessly adjustable  
Operating point can be optimally adjusted to the system requirements  
Simple system balancing  
A system's volume flow rate and its pressure

can be regulated  
Cut operating costs  
Longer service life than conventional motors  
Unit sizes  
Volume flow rate V max. 18.000 m<sup>3</sup>/h  
Total pressure increase p<sub>1</sub> max. 525 Pa  
Application  
Roof-mounted extract air fan  
Free outlet  
Free inlet or pipeline on the inlet side

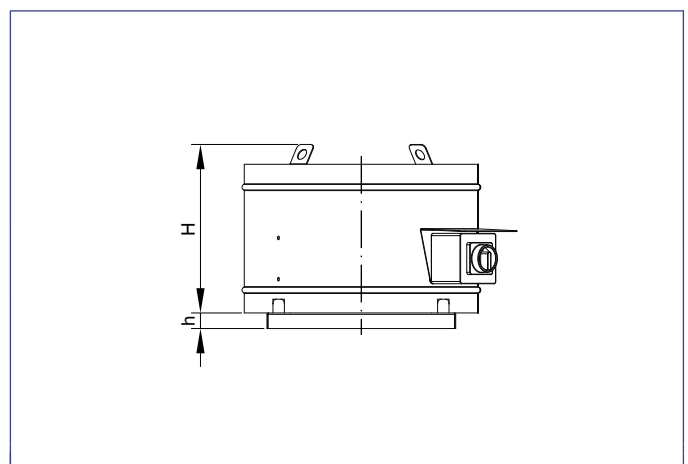
#### ACCESSORIES

Volume flow rate measuring unit VME  
Steel roof base for smooth roofs  
Sound attenuating base  
Self-powered shut-off damper (optional: thermally insulated damper blade)  
Motor-powered shut-off damper  
Flexible connectors  
Matching flange  
Equipotential bonding  
Cover grille (inlet and outlet side)  
Terminal box  
Insulated base plate  
Tilting frame for fold  
DRV-EC

#### BASE PLATE DRV-EC



#### DRV-EC



### AFMETINGEN (MM)

|        | ØD   | A   | H   | h  | A <sub>i</sub> | Ød | M      |
|--------|------|-----|-----|----|----------------|----|--------|
| 180    | 464  | 409 | 338 | 34 | 362            | 10 | M6 x 3 |
| 250    | 494  | 557 | 408 | 40 | 460            | 14 | M6 x 3 |
| 315-L  | 694  | 557 | 421 | 40 | 460            | 14 | M8 x 4 |
| 315-H1 | 694  | 557 | 458 | 40 | 460            | 14 | M8 x 4 |
| 315-H2 | 694  | 557 | 458 | 40 | 460            | 14 | M8 x 4 |
| 355    | 861  | 706 | 511 | 40 | 600            | 14 | M8 x 4 |
| 400    | 861  | 706 | 524 | 40 | 600            | 14 | M8 x 6 |
| 500-L  | 1116 | 995 | 586 | 40 | 880            | 18 | M8 x 6 |
| 500-H  | 1116 | 995 | 586 | 40 | 880            | 18 | M8 x 6 |